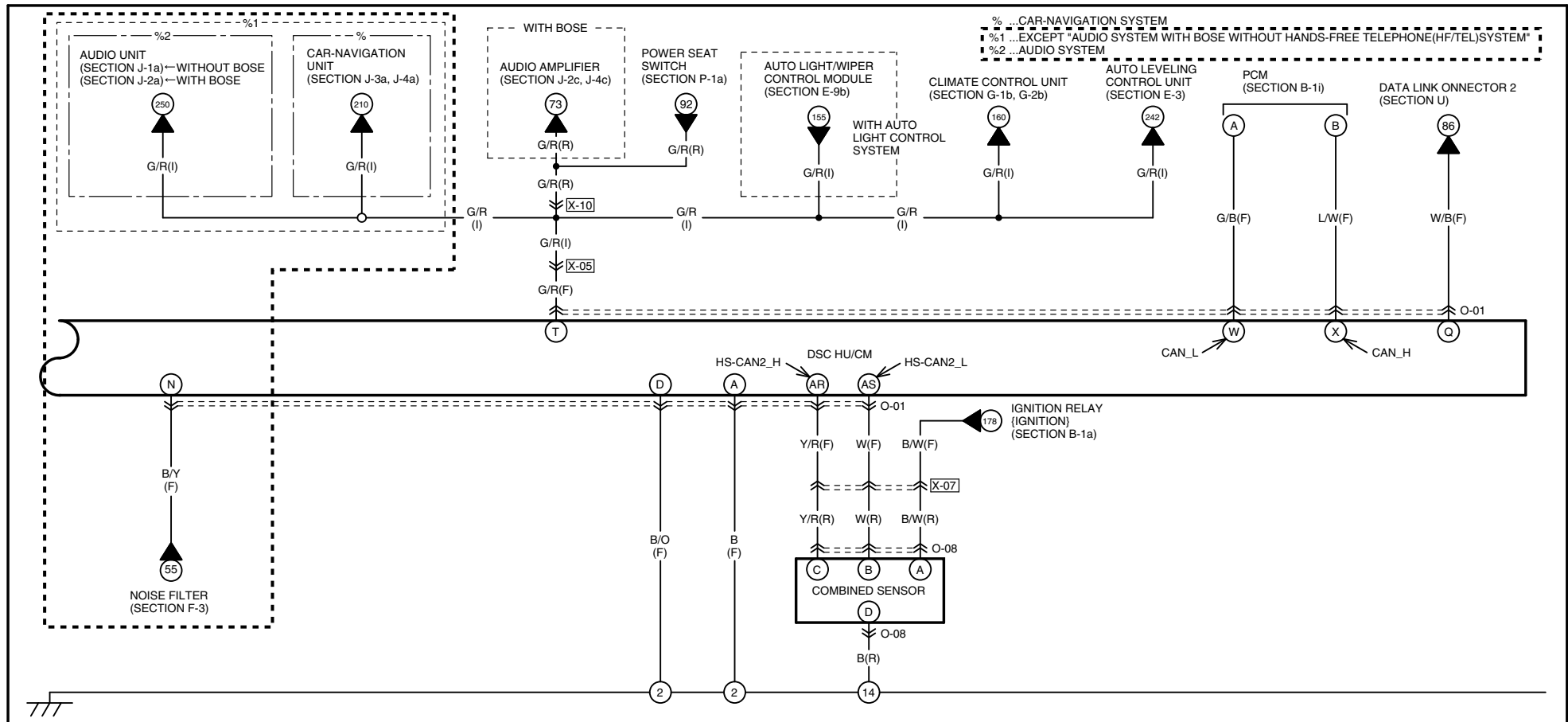


DYNAMIC STABILITY CONTROL(DSC)SYSTEM

O-b



Mazda RX-8 Wiring Diagram (5759-10-08D)

<p>O-01 DSC HU/CM(F)</p> <table border="1"> <tr> <td>AS</td><td>AQ</td><td>AO</td><td>AM</td><td>AK</td><td>AI</td><td>AG</td><td>AE</td><td>AC</td><td>AA</td><td>Y</td><td>W</td><td>U</td><td>S</td><td>Q</td><td>O</td><td>M</td><td>K</td><td>I</td><td>G</td><td>E</td><td>D</td><td>C</td><td>B</td><td>A</td> </tr> <tr> <td>W</td><td>*</td><td>*</td><td>*</td><td>*</td><td>*</td><td>*</td><td>*</td><td>*</td><td>*</td><td>*</td><td>G/B</td><td>*</td><td>*</td><td>W/B</td><td>B/O</td><td>B/L</td><td>*</td><td>L/W</td><td>V/Y</td><td>B/R</td><td colspan="4" rowspan="2" style="background-color: #cccccc;"></td> </tr> <tr> <td>*</td><td>Y/R</td><td>*</td><td>*</td><td>*</td><td>*</td><td>*</td><td>*</td><td>*</td><td>*</td><td>L/W</td><td>*</td><td>G/R</td><td>*</td><td>R/G</td><td>B/Y</td><td>R/B</td><td>B/W</td><td>G/W</td><td>B/LG</td> </tr> <tr> <td>AT</td><td>AR</td><td>AP</td><td>AN</td><td>AL</td><td>AJ</td><td>AH</td><td>AF</td><td>AD</td><td>AB</td><td>Z</td><td>X</td><td>V</td><td>T</td><td>R</td><td>P</td><td>N</td><td>L</td><td>J</td><td>H</td><td>F</td><td colspan="4"></td> </tr> </table>	AS	AQ	AO	AM	AK	AI	AG	AE	AC	AA	Y	W	U	S	Q	O	M	K	I	G	E	D	C	B	A	W	*	*	*	*	*	*	*	*	*	*	G/B	*	*	W/B	B/O	B/L	*	L/W	V/Y	B/R					*	Y/R	*	*	*	*	*	*	*	*	L/W	*	G/R	*	R/G	B/Y	R/B	B/W	G/W	B/LG	AT	AR	AP	AN	AL	AJ	AH	AF	AD	AB	Z	X	V	T	R	P	N	L	J	H	F					<p>O-08 COMBINED SENSOR(R)</p>	
AS	AQ	AO	AM	AK	AI	AG	AE	AC	AA	Y	W	U	S	Q	O	M	K	I	G	E	D	C	B	A																																																																									
W	*	*	*	*	*	*	*	*	*	*	G/B	*	*	W/B	B/O	B/L	*	L/W	V/Y	B/R																																																																													
*	Y/R	*	*	*	*	*	*	*	*	L/W	*	G/R	*	R/G	B/Y	R/B	B/W	G/W	B/LG																																																																														
AT	AR	AP	AN	AL	AJ	AH	AF	AD	AB	Z	X	V	T	R	P	N	L	J	H	F																																																																													

HARNESS SYMBOL:  (F)  (E)  (R)

